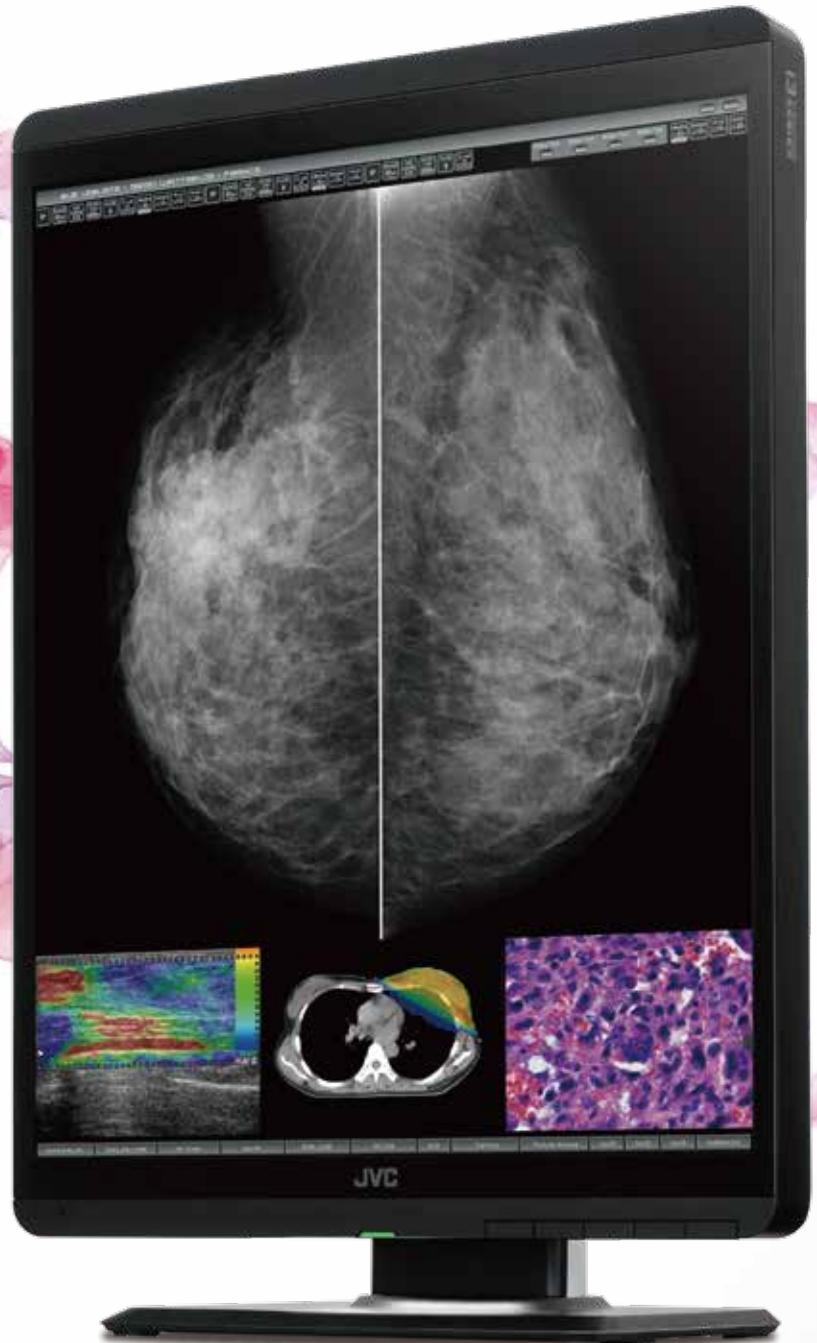


JVC

5 Megapixel 21.3" Color Monitor

CL-S500

The gold standard in medical imaging



i3 for Medical Imaging
SERIES

5MP

21.3"

1150
cd/m²

2000:1

DisplayPort
&
DVI-D

Calibration
Function

Color
Front
Sensor

Dynamic
Gamma

Uniformity
Equalizer

DisplayPort
Daisy
Chains

Human
Presence
Sensor

LED
Backlight

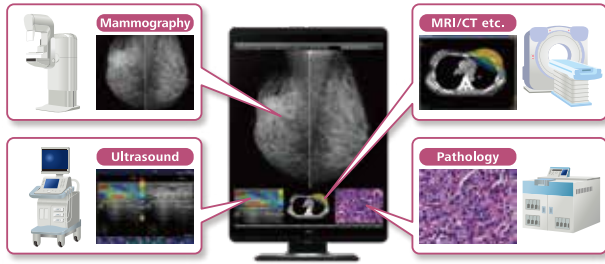
Reading
Light

Protective
Glass
Filter

5 Megapixel 21.3" Color Monitor CL-S500

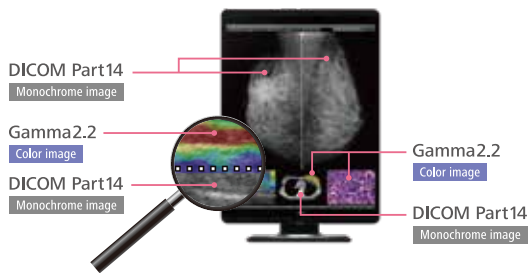
5MP color display for multi modality

CL-S500 can accommodate images from any modality including Digital Mammography/Tomosynthesis, US, CT, MRI and pathology.



Dynamic Gamma

Color images are automatically recognized to provide optimized contrast, brightness and gamma. No user intervention is required.



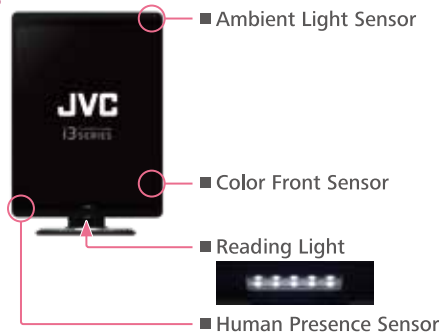
Auto Text Mode

Automatic brightness control for text data to reduce eye strain for patient lists and reporting application.



Advanced Features

- Protective Glass Filter
- Reading Light
- LED Indicator / Front Buttons
- Built-in Sensor
- Space Saving
- Wire Management / DisplayPort Daisy Chains
- DICOM Conformance Check

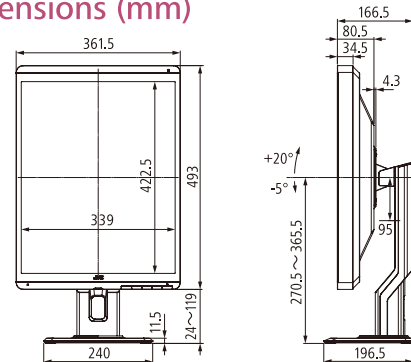


●“JVC” is a brand of medical and industrial monitors manufactured and sold by JVCKENWOOD Corporation. ●Company names and product names are the registered trademarks of the respective companies. ●Product specifications and appearance are subject to change without notice. ●Colors in photographs may differ from actual colors due to the printing process. ●Images on screens are simulated.

Specifications

| | | |
|--------------------------|---|---|
| LCD Panel | Model Name | CL-S500 |
| | Technology | 21.3" color TFT IPS technology |
| | Display Area | 337.9 mm × 422.4 mm |
| | Pixel Pitch | 0.165 mm × 0.165 mm |
| | Maximum Luminance | 1150 cd/m ² (typ.) 500 cd/m ² (calibrated) |
| | Contrast Ratio | 2000 : 1 (typ.) |
| Visual Performance | Viewing Angle | 178° vertical and horizontal |
| | Native Resolution | 2048 × 2560 |
| Interface | Display Colors | 16.77 million colors 1.07 billion colors with DisplayPort and 10-bit viewer |
| | Input Signal | DVI-D (DVI 1.0 compliant) DisplayPort (DisplayPort 1.2a compliant) |
| | Output Signal | DisplayPort (DisplayPort 1.2a compliant) |
| Input Power Supply | Plug and Play | DDC2B compliant |
| | Input Power Supply | 100 V - 240 V 50 / 60 Hz |
| Features | Maximum Power Consumption | 80 W (typ.) |
| | Calibration Control | Luminance, Gamma, Color temperature Capable of storing 3 sets of LUT (Optional Calibration Kit is required) |
| | OSD Information Display | Model name, Serial No., Total operating time, Calibration settings (Operating time since last calibration, Luminance, Gamma), Current Luminance, Color temperature and Ambient light, DICOM conformance |
| | USB Hub | USB Rev.2 compliant, Self-powered USB upstream connector (×1), USB downstream connector (×2) |
| Approvals | Other Features | Uniformity Equalizer, Hardware pivot, LED indicator, Advanced power management, Human Presence Sensor, Dynamic Gamma, Auto Text Mode, Reading Light, Luminance stabilization, Multiple LUT, Self DICOM check, Self-calibration |
| | ANSI/AAMI ES60601-1 (2005) + A1 (2012), CAN/CSA-C22.2 No. 60601-1 (2014), CE (EN60601-1, EN60601-1-2), FCC Part 15 subpart B Class B, ICES-003-B, VCCI-B, RCM, J-Moss, RoHS | |
| Physical Characteristics | FDA | 510(k) Cleared to use for diagnostic purposes with digital medical images for Digital mammography PACS, Modalities including FFDm, and Breast tomosynthesis |
| | Dimensions (W × H × D) | Landscape : 493 mm × 451.3 / 546.3 mm × 196.5 mm Portrait : 361.5 mm × 517 / 612 mm × 196.5 mm |
| | Weight | approx. 9.5 kg |
| | Tilt Stand | Tilt, Swivel, Portrait / Landscape |
| Accessories | Mount | VESA standard (100 mm × 100 mm) |
| | Power cord, DVI cable, DisplayPort cable, USB cable, Operation manual, Installation manual, Software (QA Medivisor Agent LE) | |

Dimensions (mm)



Options

Calibration Kit CAL-016

- QA and calibration software [QA Medivisor Agent]
- Calibration sensor



Safety Precautions

- Please read the user's manual for safe and proper use.
- Do not expose the product to dust, moisture, steam, or oily smoke. It could cause fire, electric shock, or a failure.

Please contact our distributor below with inquiries and orders.

Healthcare Business Division
JVCKENWOOD Corporation
3-12, Moriya-cho, Kanagawa-ku, Yokohama-shi, Kanagawa, 221-0022, JAPAN
TEL: +81-45-450-1908 FAX: +81-45-450-1926
E mail : medical-display.j@jvckenwood.com
JVC Healthcare Website : <http://healthcare.jvc.com/>